

SCOPE OF WORK

Porch Rafter Reinforcement

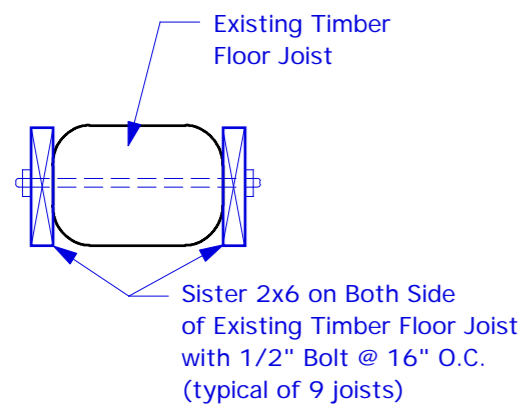
- Sister 2"x 6" Joists to Both Sides of Existing Timber Joists
- Install 2'-6" Bracing at (4) Locations.

MATERIALS

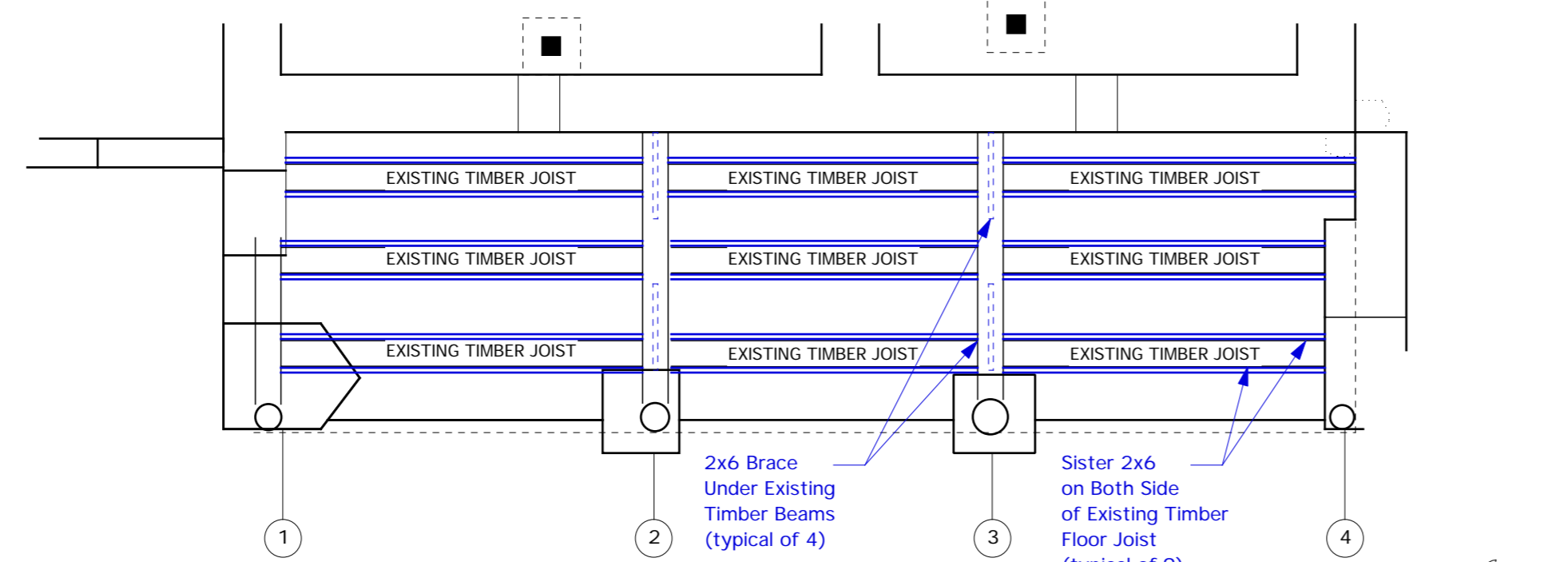
- (18) 10'-0" 2"x 6" Joists
- (4) 8'-0" 2"x 6" Braces
- (54) 1/2" 12"min. Threaded Rod
- (108) 1/2" Nuts and Washers
- (12) 5/8"dia. Lag Bolts

NOTE

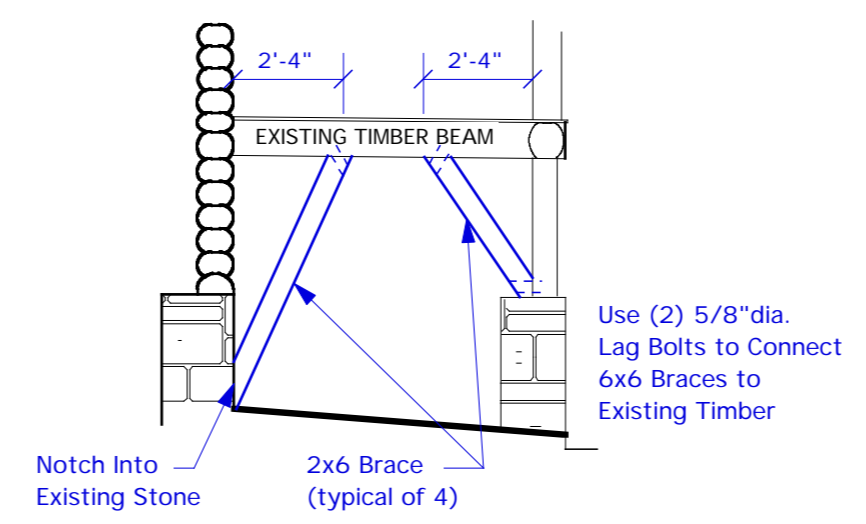
This Project Should be Started After the Concrete and Stone Piers are Completed.



PORCH FRAMING DETAIL
 SCALE: NTS



PORCH FRAMING PLAN
 SCALE: 1/4"=1'-0"



PORCH FRAMING SECTION
 SCALE: 1/4"=1'-0"