

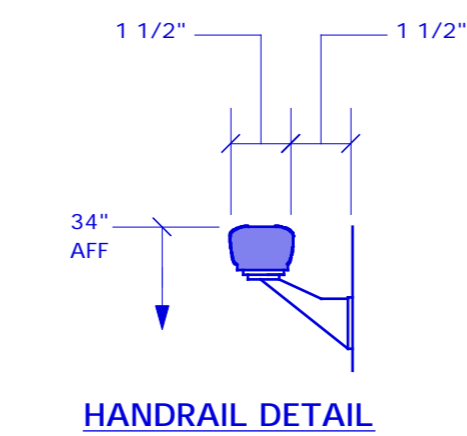
SCOPE OF WORK

Exterior Handrail @ Existing Stone Steps

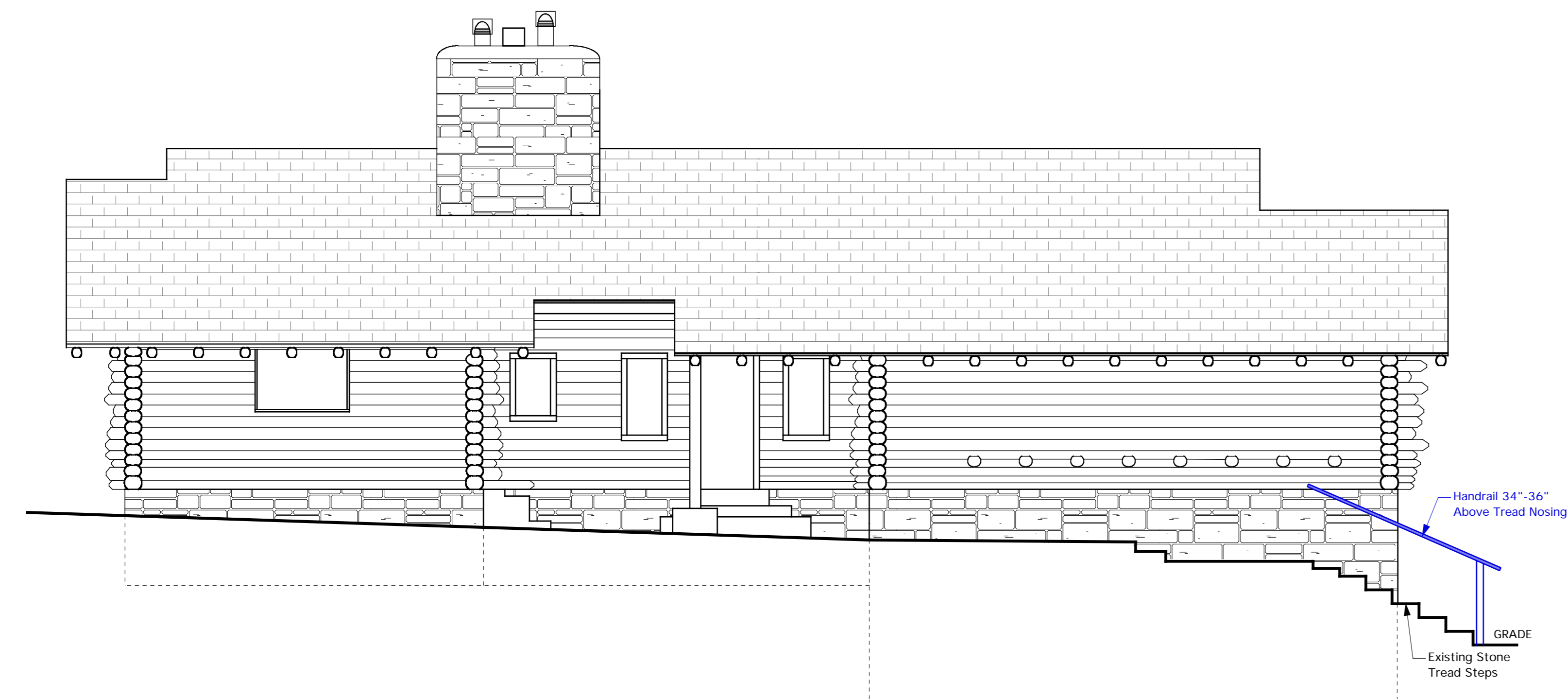
- Install Handrail Mounted to Stone Wall and Wood Post at Bottom of Stairs.
- Handrail to be Sized as Shown Below or Can be Made Using 2" x 6" Wood with Rounded Top.

MATERIALS

- 10'-0" Wood Hand Rail.
- Metal Mounting Brackets
- 4"x 4" Pressure Treated Wood Post Approximately 5'-0" Long (36"above grade)
- Mortar to Fill Around Mounting Brackets Set in Stone Wall.



FIRST FLOOR PLAN
SCALE: 1/4"=1'-0"



EAST ELEVATION
SCALE: 1/4"=1'-0"

PROPERTY OWNER:
**Pennsylvania
Department of Conservation
and Natural Resources**

PROPERTY TENANT:
**Swatara Watershed
Association, Inc.**

PROJECT LOCATION:
BORDNER CABIN
Old State Road
Swatara State Park
Bethel Township
Lebanon County, Pa.

M.H. WILLEMAN
P.O. BOX 345, MT. GRETNA, PA 17064
(717) 864-3323

DATE : 5/12/09
REVISION DATE:
12/02/10
6/18/12

SCALE : 1/4" = 1'-0"

File Name: Bordner Cabin

SHEET
A9